

Hillside Avenue School Supply List 2019 - 2020

KINDERGARTEN

- 1 reusable snack bag clearly labeled with your child's name
- 1 backpack with loop for hanging (no wheels on bottom please!)
- 3 plastic pocket folders with pockets on the bottom (not on the sides) labeled with child's name
- 1 boxes of tissues
- 1 box (24 count) Crayola crayons
- 1 4pack of chisel tip Expo Markers

The following items are requested to assist in keeping your child healthy. For many of our students, this will be their first school experience. The student tables are wiped down before and after snack and we encourage our students to wash their hands frequently:

- 1 bottle of antibacterial hand soap
- 2 bottles of antibacterial hand sanitizer (a.m. only)
- 2 containers of Clorox disinfecting wipes (p.m. only)-name brand only please; these work best!

Thank You,

Mrs. Falisi

**Hillside Avenue School
Supply List 2019 - 2020**

GRADE 1

- 3 Large glue sticks
- 1 pack (5 count) Post-it Notes
- 1 package plain #2 pencils
- 1 24-count box of crayons
- 2 2-pocket folders (one BLUE and one RED)
- 2 marble notebooks (100 sheets)
- 1 package of (all black) dry erase markers
- 1 set of *inexpensive* headphones* (no earbuds please)
 - * to keep in school for the year and will be returned at the end of first grade

**Either 1 box of baby wipes or 1 roll of paper towel (both are not Required)

***Requested: 2 boxes of tissues

For Spanish class:

- 1 2-pocket folder

Hillside Avenue School Supply List 2019 - 2020

GRADE 2

- 2 packs of 10 sharpened pencils
- 1 pack (5 count) 3x3 Post-it notes – any color
- 1 large eraser
- 1 box of crayons (24 count)
- 1 LARGE glue stick **or** 4 SMALL gluesticks
- 3 notebooks (marble composition, 200 pages)
- 3 folders (2-pocket type)
- 1 pencil bag - no boxes please
- 1 blue pen, 1 green pen, 1 black pen
- 1 highlighter
- 1 set of ***inexpensive*** headphones* (no earbuds please)
 - * to keep in school for the year and will be returned at the end of second grade

☆ Either 1 box of Clorox wipes or 1 roll of papertowels – Both are not required

* Requested: 1 boxes of tissues

*ALSO: Please have an **inch/cm ruler** for home use only (do not send into school)*

Supplies for Spanish class:

- 1 folder (2-pocket labeled with name)
- 1 notebook (marble composition, 200 pages)

Please note: Individual teachers may ask for additional supplies in September.

Hillside Avenue School Supply List 2019 - 2020

GRADE 3

- 6 Marble-bound composition notebooks*** - approx. 7 ½ x 9 ½ to be used for:
Daily Journal
Reading/Language Arts
Science/Social Studies
Math
Spanish
Mentor Sentences

*****Please put full name and subject on each notebook**

- 2 red **NON-CLICKING** pens
- 5 #2 pencils - to be replenished as the year goes on
- 1 box of (24 count) crayons
- 1 box of (12 count) magic markers (multi-colored and washable)
- 5 folders (2 pocket) *****Please put full name**
- 2 large glue stick
- 2 highlighters (2 different colors)
- 1 pack (5 count) 3x3 Post-it notes-any colors
- 1 handheld pencil sharpener
- 1 Dry erase marker
- 1 **clean** sock to be used as an eraser on a dry erase board supplied by teacher
- 1 set of **inexpensive** headphones/earbuds - to keep in school for the year and will be returned at end of third grade

***Requested: 2 boxes of tissues**

Hillside Avenue School Supply List 2019 - 2020

Grade 4

- 3- two pocket folders (plastic coated with horizontal pockets), labeled with name
- 6-black and white composition notebooks
- 1 - one inch binders- labeled for Writing Workshop and Social Studies
- 1-Package of thin dry erase markers
- 2-colored correcting pens (blue and red)
- 1-package of eraser caps
- 3-packs of post it notes (3x3)
- 2-glue sticks
- 1-highlighter
- 6-sharpened pencils with erasers
- 1-small pencil sharpener
- 2-boxes of tissues
- 1-container of Clorox wipes
- 1-clean old sock for erasing dry erase markers
- 1 -packet of loose leaf dividers (5 tabs each)
- 1- package of hole punched, **wide ruled** paper for writing binders
- 1 set of *inexpensive* headphones/earbuds – to keep in school for the year and will be returned at the end of fourth grade

*** Please do not purchase binders larger than requested. We have limited space for storage.**

Supplies for Spanish

- 1 two-pocket folder
- 1 black and white composition notebook (100 sheets)

*Please note: individual teachers may ask for additional supplies in September

Hillside Avenue School Supply List 2019-2020

GRADE 5

- 1 marble notebook
- 2 3 ring binder with dividers (1 ½" or larger)
- 5 1-subject spiral notebooks (colors: red, blue, yellow, green, black)
- 4 pocket folders (solid colors, no pictures please: red, blue, yellow, green)
- 1 expandable file folder
- 1 highlighter
- 1 package of pens (blue or black) and 1 red pen
- 1 box of pencils with erasers
- Glue stick
- 1 box (12 count) of Crayons OR colored pencils
- 1 student interest silent reading book
- 1 container Clorox wipes
- 3 packs of Post-It
- 2 boxes of tissues
- 1 set of ***inexpensive*** headphones /earbuds– to keep in school for the year and will be returned at the end of fifth grade

Supplies for Spanish class:

- 1 marble notebook
- 1 two pocket folder

*Please note: Individual teachers may ask for additional supplies in September.

**You will have a locker with a combination lock this year. Please practice opening a lock over the summer (no need to buy a lock at this time – just practice doing a combination).

Have a great summer! See you in September!

**Hillside Avenue School
Supply List 2019 - 2020
Grade Six**

Dear Parents and Guardians,

As in any learning experience, communications is essential. We would like to let you know ahead of time what materials will be needed for your child to succeed in 6th grade. Below is a list of the materials that will be used in the coming school year.

Quantity	Item/Color	Subject
3	1-subject spiral notebooks	SS/World Lang./LA
4	½ -inch 3-ring binders - any color	Science/LA/Math/Combined SS & WL
2	sets of dividers (8/pack)	To be shared across all subjects
2	boxes of tissues	Homeroom
2	marble tablet wide ruled (composition book) - any color	LA/Science
1	extra-sturdy folder (any design, any color, with pockets)	Science/LA
1	TI-30XIIS calculator (Texas Instruments)*	Math & Science
1	combination lock**	Phys. Ed.
1	pack of loose leaf paper for 3-ring binders	
1	extra-sturdy pencil case***	
1	package "Post-It" 3"x 3"	
1	set of inexpensive headphones/earbuds for everyday school use	
2	highlighters	

Your child(ren) and these supplies, together in every class, are sure to spell success! This is going to be a great year for all of us and we look forward to meeting you soon.

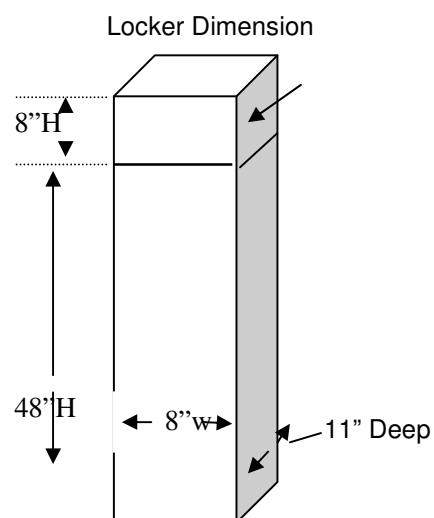
Yours truly,
The Sixth Grade Team

*It is recommended that the calculator be purchased, as it is used for all three years of middle school, but it is also available as a year-long loan from the school.

**The lock is also used for all three years.

**Extra-sturdy pencil case needs to comfortably hold these contents:

- Highlighters (1 pack, different colors)
- Colored Pencils (12-pack is sufficient)
- Pens (blue, red)
- Regular Pencils (please, not the distracting type)
- Reinforcements (for loose leaf paper)
- Pink Erasers (pencil topper and/or hand-held)



Hillside Avenue School Supply List 2019 - 2020 *GRADE 7*

Social Studies:

- 1" Green binder
- 4 dividers

Science:

- 1" black binder
- 1 roll paper towels
- 4 tab dividers

Math:

- 3 subject notebook
- 1 2-pocket folder
- Scientific calculator: Texas Instruments T1=30XIIS – same calculator as 6th grade
- 3 ring binder pencil case to carry calculator

***English/ Literature:**

- 1 composition notebook
- 1 spiral notebook – single subject
- 1" red binder/tab dividers

**Additional materials for this class will be explained during the first week of school.*

World Language:

- 1" binder - color of your choice (suggested: purple)
- 1 pack 5 tab dividers

Physical Education:

- 1 Combination Lock

General supplies:

- Pencil case filled with the following:
 - Pencils
 - Blue or black pens
 - Highlighter
 - Eraser
 - Reinforcements
- Loose leaf paper in all binders
- 1 set of ***inexpensive*** headphones/earbuds for everyday school use

Donated:

- 2 full size boxes of tissue

Hillside Avenue School
Supply List 2019 - 2020
Grade 8

2 -1½ **inch** binders for Math and World Language

2 -**1 inch** binders for Social Studies (green if possible) and Language Arts

2 - Packages of notebook dividers for Math and Language Arts

5 - marble notebooks – **College Ruled** (100 sheets each/200 pages): **1** for Science; **2** for Reading;
1 for Writing;
1 for World Language except French

1 Texas Instruments calculator model #TI-30X11S (purchased or loaned from school)
Students will begin using the calculator in September. (The same calculator used in grade 6 & 7)

1 roll of paper towels for science

1 pack of colored highlighters

A package (6 or more please) of **red or green** “correcting pens”

2 Extra large glue sticks (2 for student’s pencil case, replenish as needed)

Blue or black pens (4 minimum)

Pencils (at least 10) – mechanical ok

3 Refill Packs of loose leaf papers for binders – replace as needed

Pencil Case (preferably with holes to go in binder)

1 set of **inexpensive** headphones/earbuds for everyday school use

*Requested: 2 boxes of tissues